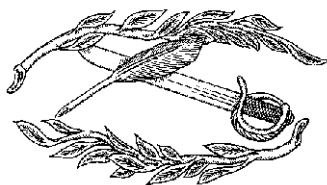


New South Wales Government

Surveyor General's Directions

No. 1

Approved Permanent Marks





Surveyor General's Directions



DOCUMENT CONTROL SHEET

Record of Document Issues

Version No	Issue Date	Nature of Amendment
1.0	November 1993	Initial Release
1.1	August 1997	Minor Revision
1.2	January 1999	Minor Revision
2.0	March 2000	Minor Revision
2.1	December 2009	Minor Revision – S&SI Reg 2006.
2.2	June 2016	Minor changes accounting for departmental restructure

Document Approval:

Approved By:

Paul Harcombe
Surveyor General of NSW
Date of Approval: 30 June 2016



Contents

	Page
General	1-1
 Diagrams	
1 - Permanent Mark - Type 4 (Urban).....	1-2
2 - Permanent Mark - Type 1 (SSM - Large)	1-3
3 - Permanent Mark - Type 2 (SSM - Small).....	1-4
4 - Permanent Mark - Type 6 (Non-Urban)	1-5
5 - Permanent Mark - Type 7 (Feno Spike)	1-6
6 - Permanent Mark - Type 8 (DWR. “C-Type” Mark)	1-7
7 - Permanent Mark - Type 9 (Concrete Survey Pillar)	1-8
8 - Permanent Mark - Type 10 (Rooftop Pillar)	1-9
 Appendix	
A - Suitable Fixing Agents	1-10



General

The form and style of Permanent Survey Marks are prescribed by Clause 27 and Schedule 4 of the *Surveying and Spatial Information Regulation 2012*. The Surveyor General may approve any mark of durable character for specific terrain as a Boundary Mark or Reference Mark.

Generally speaking, a permanent mark is a stable and durable mark of a permanent nature that is uniquely identified by a combination of letters and numbers. These identifiers are used to store attributes of the mark, such as co-ordinates, height, characteristics and location details within the records of Spatial Services – Department of Finance, Services and Innovation.

Permanent Survey Marks (or “Permanent Marks”) provide the basic framework for all types of surveys to be brought onto a common network, the State Control Survey.

The introduction of Global Navigation Satellite System (GNSS) technology and large computerised Geographical Information System/Land Information System (GIS/LIS) databases increases the need for all survey and related land information to be on a common co-ordinate system. Use of the Permanent Marks in the State Control Survey will provide the means for all surveys to be related to this common co-ordinate system.

The following diagrams show the mark types approved by the Surveyor General and gazetted as permanent marks.

Wherever permanent marks are placed, a survey plaque should be located nearby to assist recovery of the mark (see Surveyor General’s Direction No. 2 - Preparation of Locality Sketch Plans).

For further information or advice, contact:

Office of the Surveyor General
Spatial Services – Department of Finance, Services & Innovation
Queens Square Building
1 Prince Albert Rd
SYDNEY NSW 2000

or

GPO Box 15
SYDNEY NSW 2001

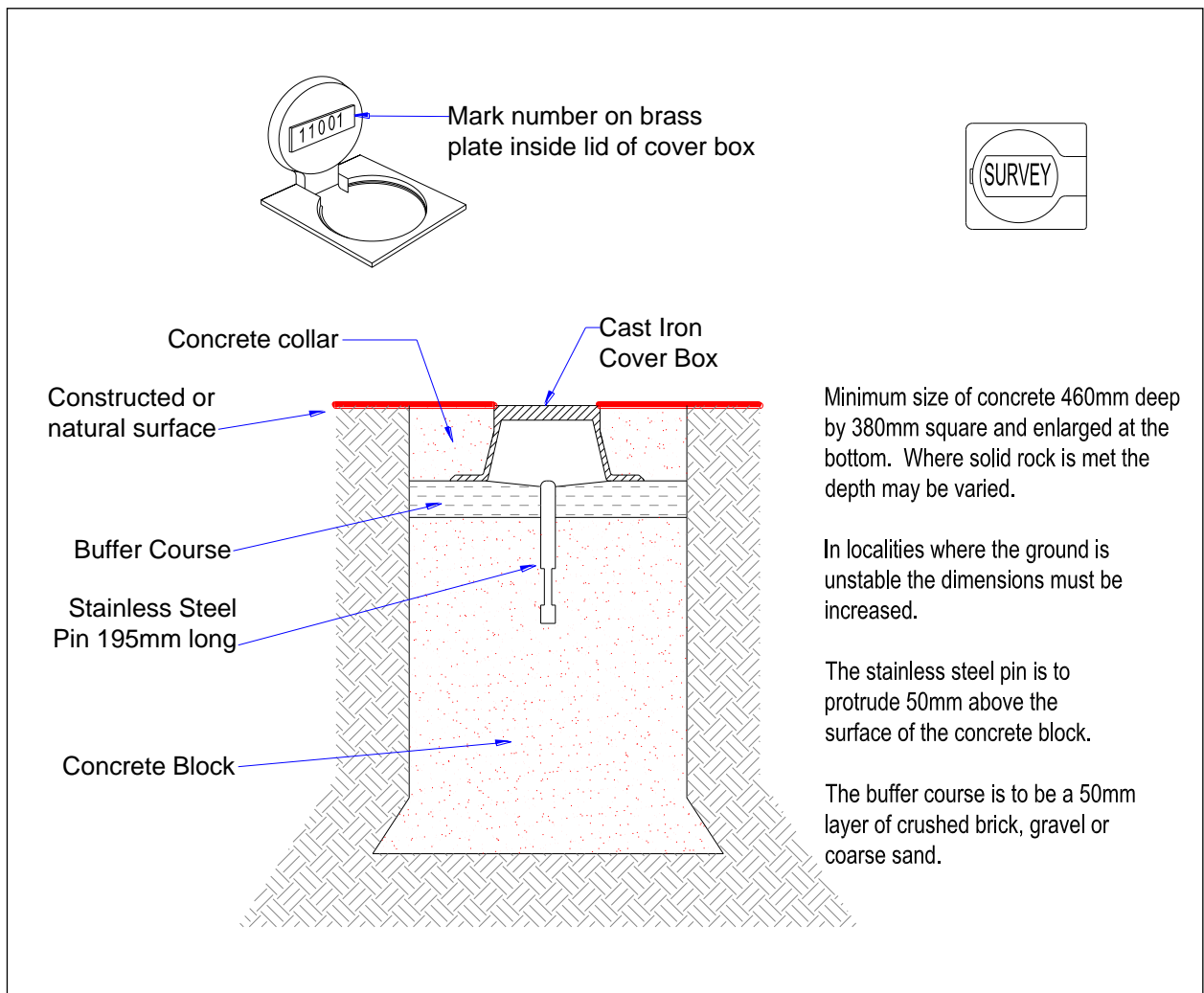
Telephone: 02 8258 7516
Email: SCIMS@lpi.nsw.gov.au



Diagram 1 - Permanent Mark - Type 4 (Urban)

PERMANENT MARK TYPE 4
(Urban)

As prescribed by the Surveying and Spatial Information Regulation 2012



(Permanent Mark Type 5 is no longer prescribed)



Diagram 2 - Permanent Mark - Type 1 (SSM - Large)

PERMANENT MARK TYPE 1
(State Survey Mark - Large)

As prescribed by the Surveying and Spatial Information Regulation 2012

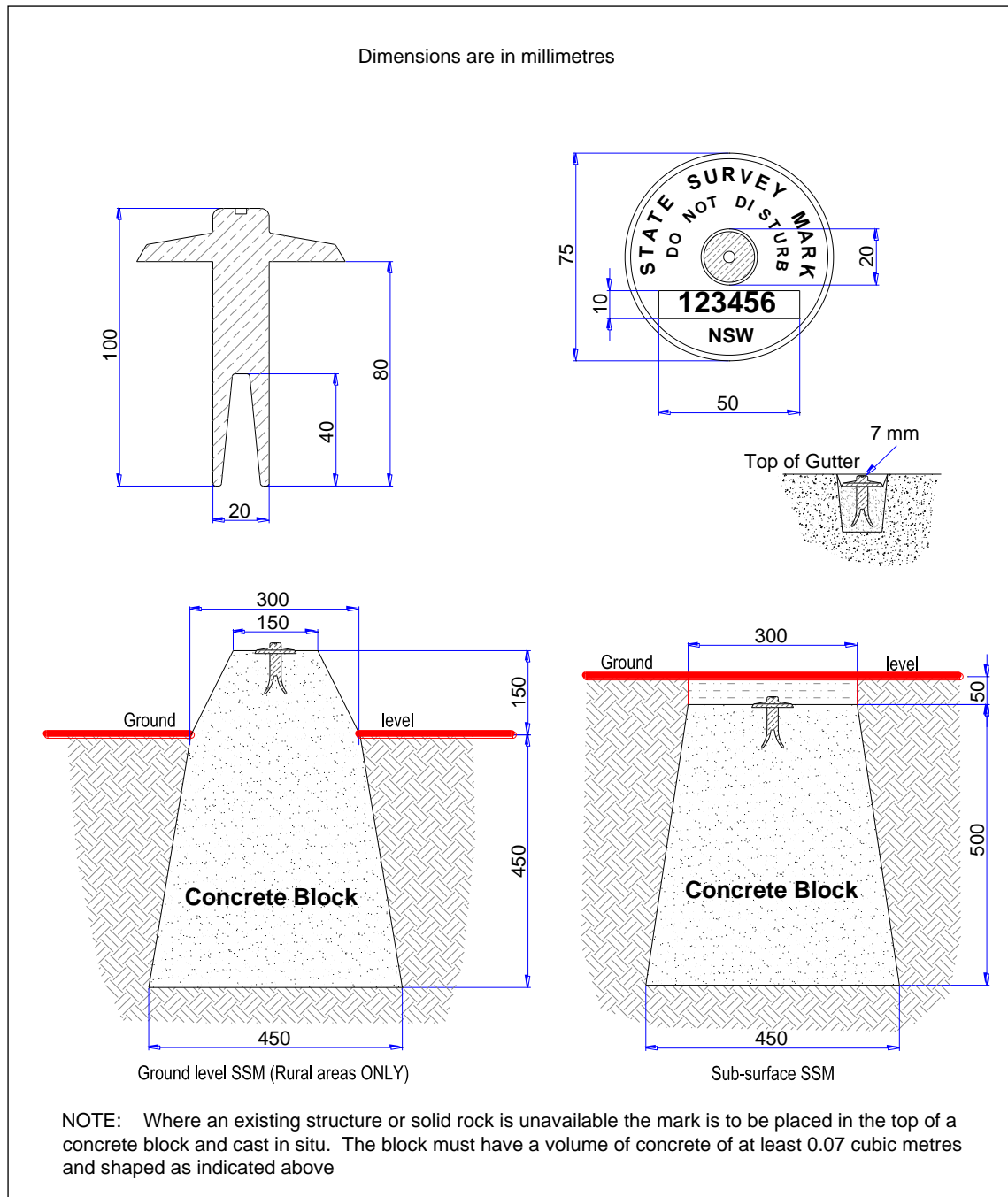
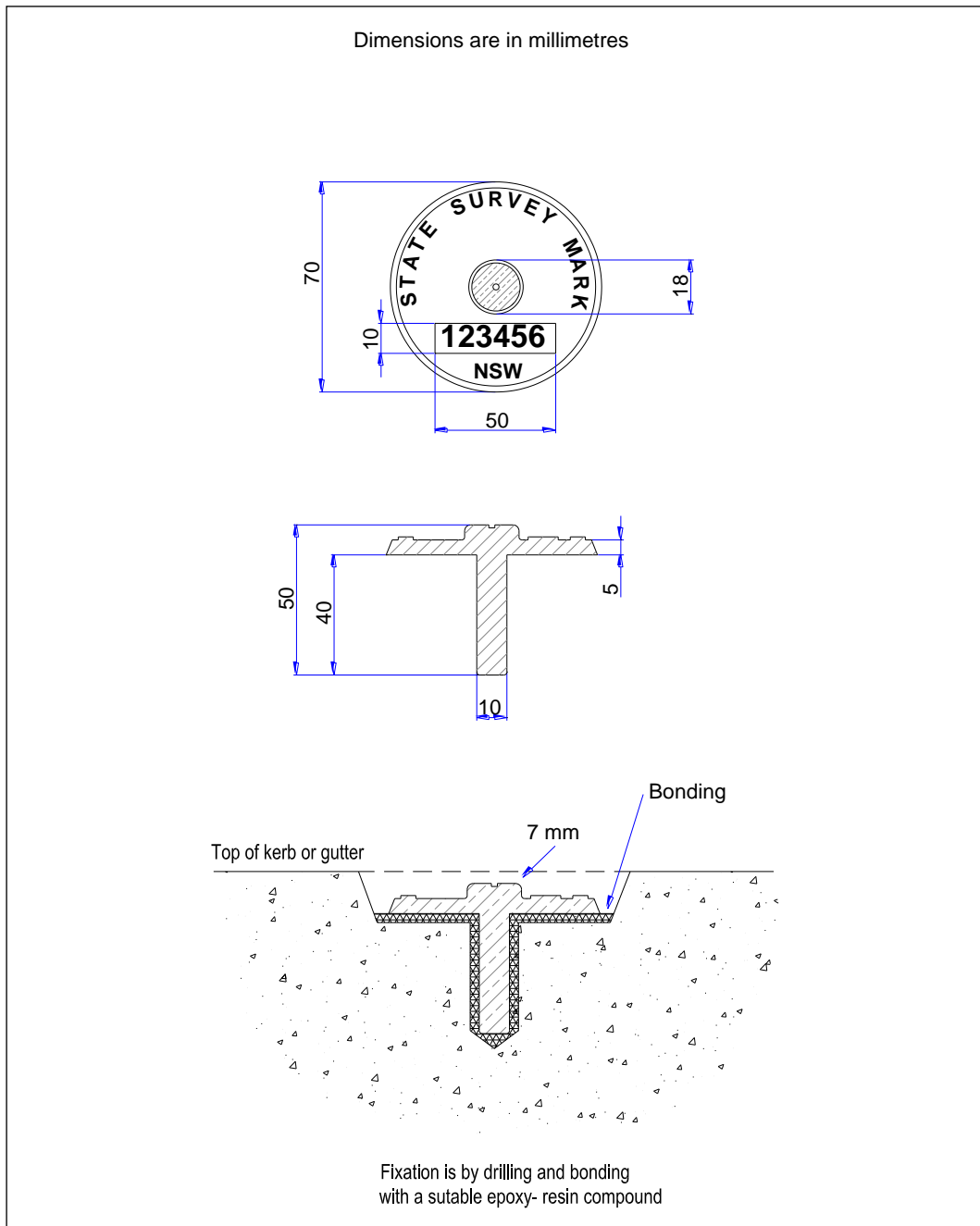




Diagram 3 - Permanent Mark - Type 2 (SSM - Small)

PERMANENT MARK TYPE 2 (State Survey Mark - Small)

As prescribed by the Surveying and Spatial Information Regulation 2012



(Permanent Mark Type 3 is no longer prescribed)



Diagram 4 - Permanent Mark - Type 6 (Non-Urban)

PERMANENT MARK TYPE 6
(Non-Urban)
Galvanised Star Picket

As prescribed by the Surveying and Spatial Information Regulation 2012

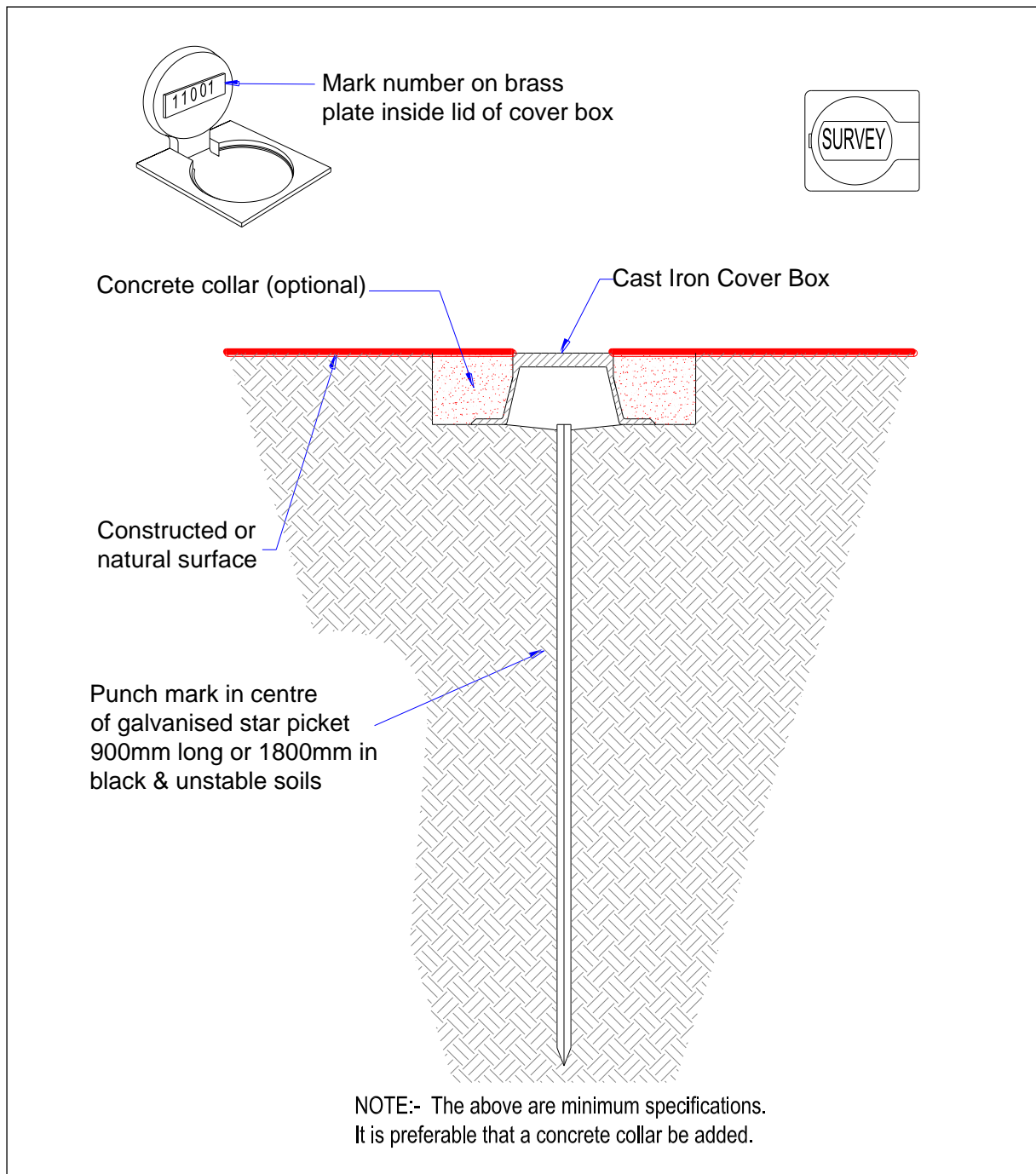




Diagram 5 - Permanent Mark - Type 7 (Feno Spike)

PERMANENT MARK TYPE 7
(Feno Spike with Cover Box)
Suitable for firm soil types

As prescribed by the Surveying and Spatial Information Regulation 2012

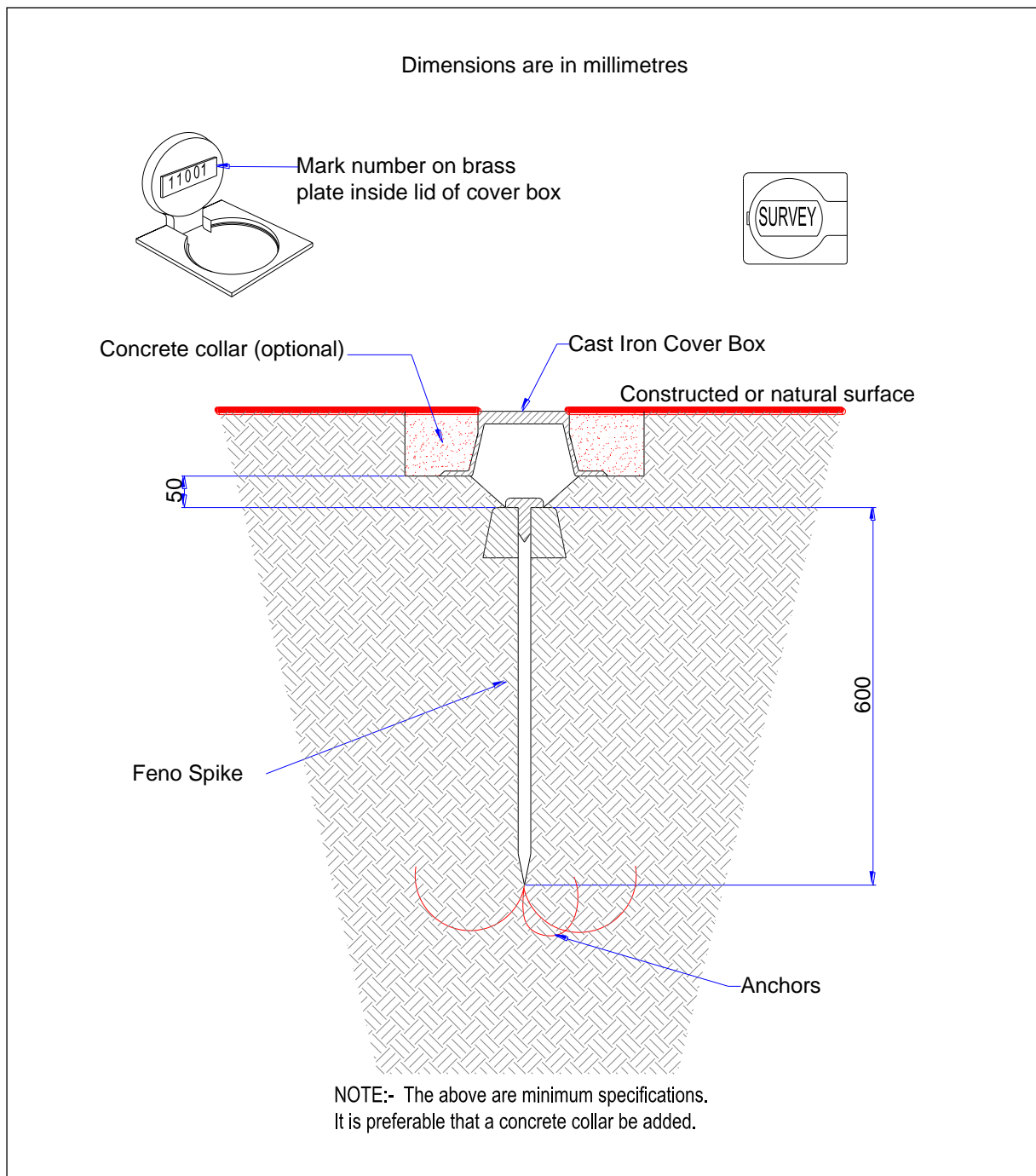




Diagram 6 - Permanent Mark - Type 8 (DWR "C-Type" Mark)

PERMANENT MARK TYPE 8 (DWR "C-Type" Mark)

As prescribed by the Surveying and Spatial Information Regulation 2012

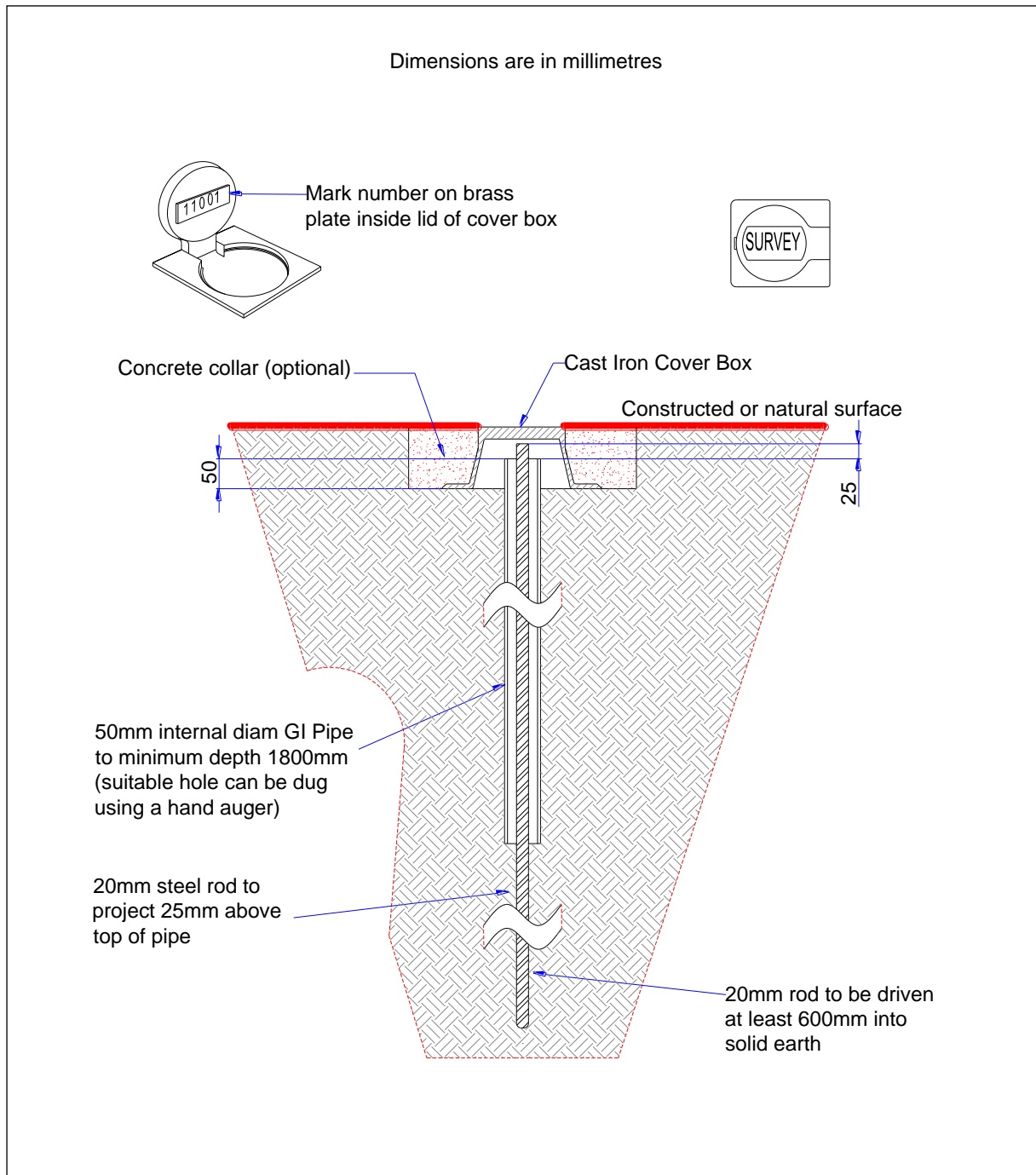




Diagram 7 - Permanent Mark - Type 9 (Concrete Survey Pillar)

PERMANENT MARK TYPE 9 (Trigonometrical Station)

As prescribed by the Surveying and Spatial Information Regulation 2012

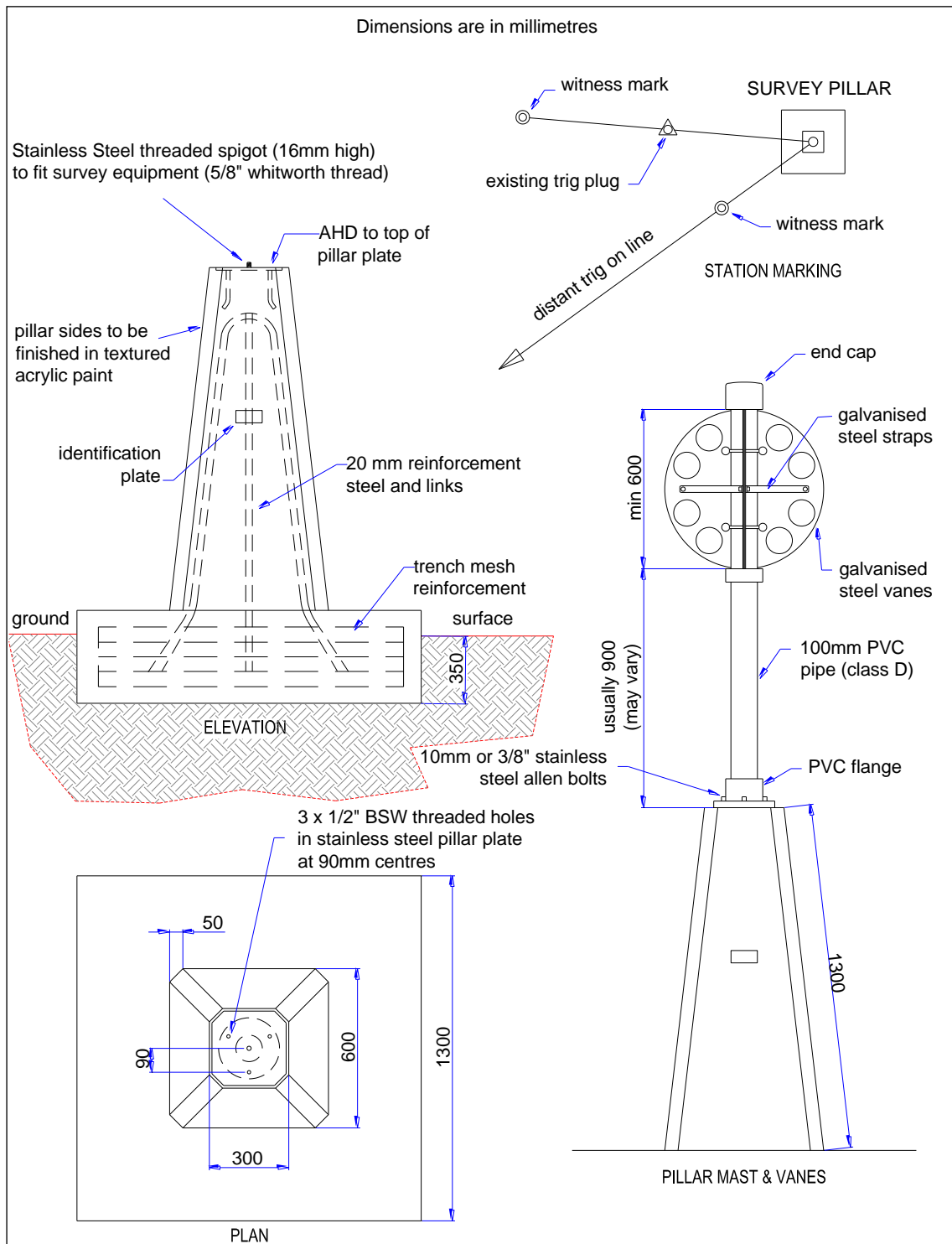
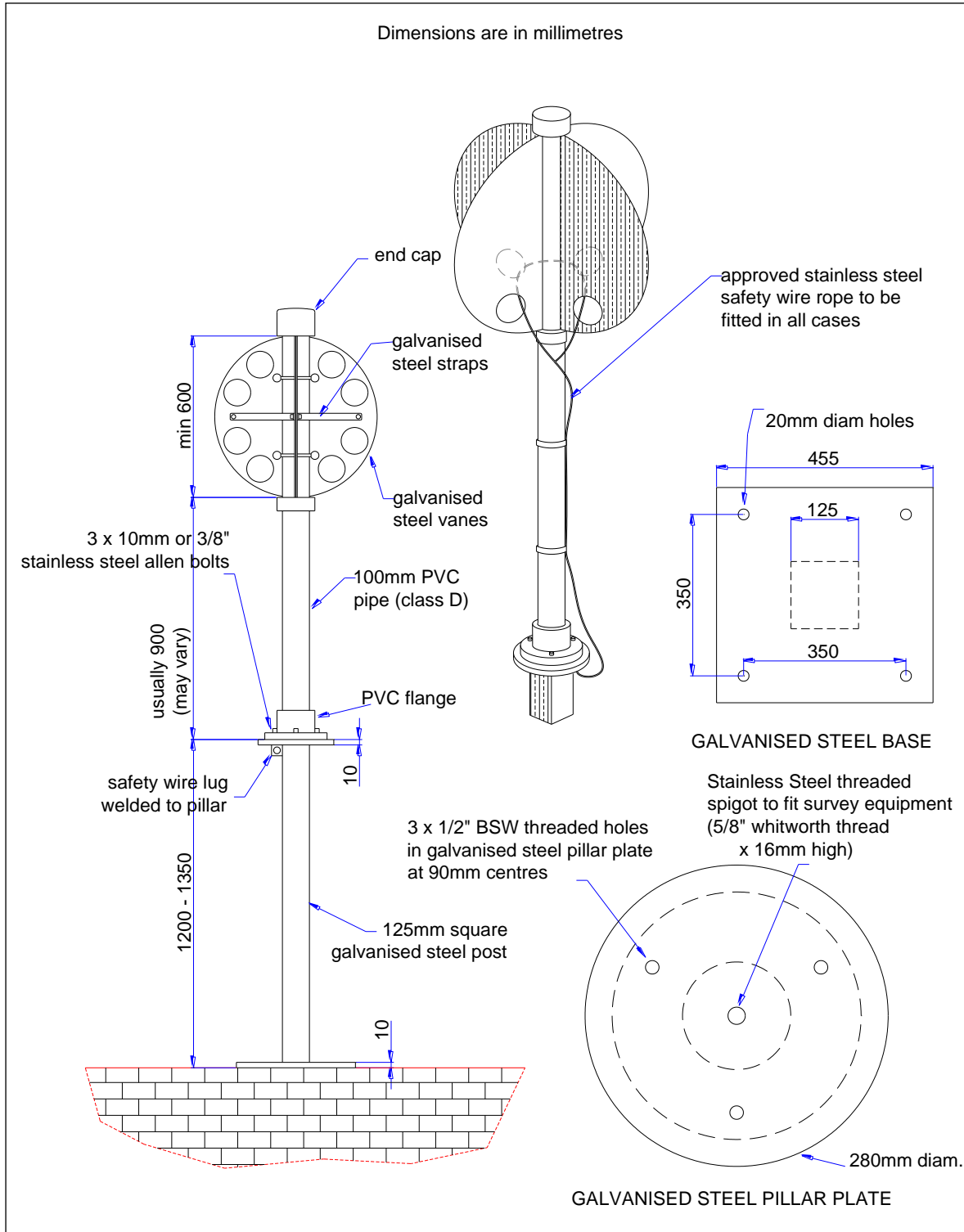




Diagram 8 - Permanent Mark - Type 10 (Rooftop Pillar)

PERMANENT MARK TYPE 10
(Rooftop Pillar)

As prescribed by the Surveying and Spatial Information Regulation 2012





Appendix A - Suitable Fixing Agents

Suitable Fixing Agents for SSM's

Following is a list of epoxies which are suitable for fixing SSM's. The most suitable are those which have a high viscosity.

Product

- Quickset cement
- Cement mix
- Selley's Epoxy
- Resin Cement repair kit

End of Direction